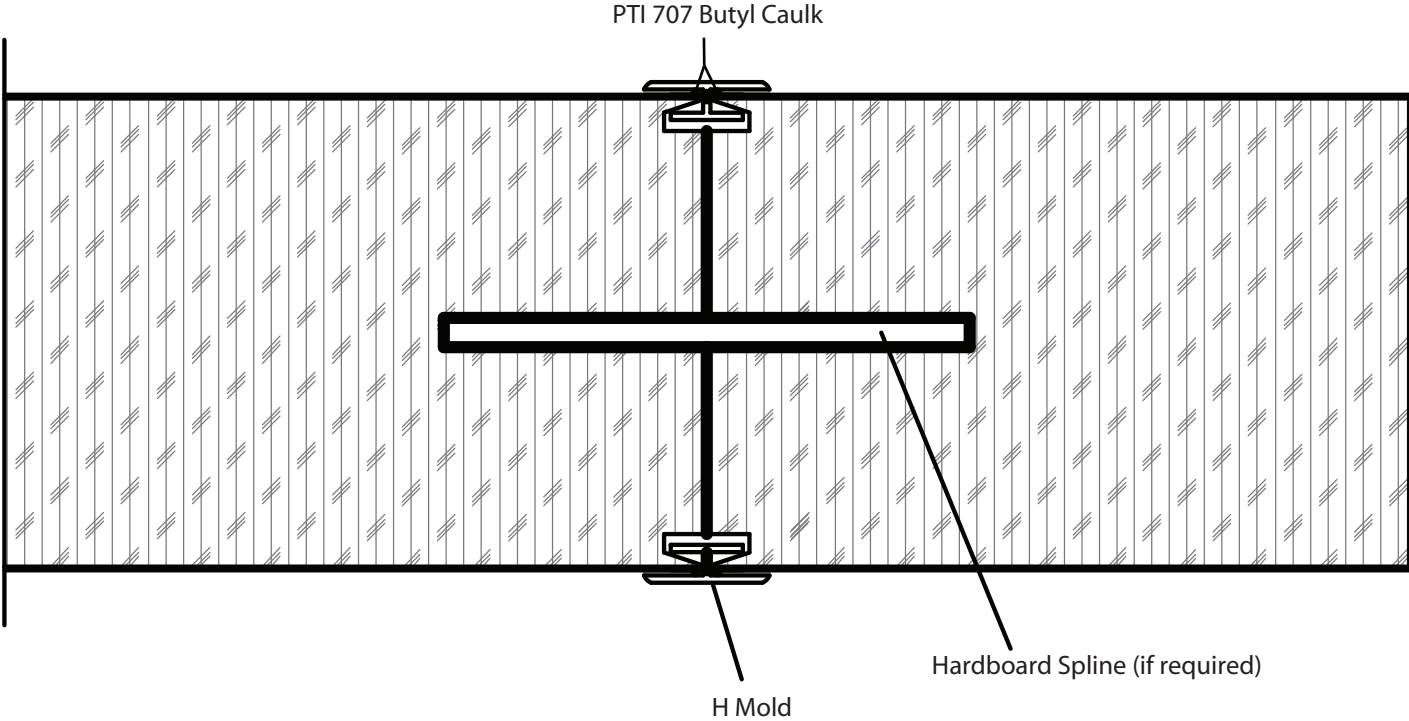


# FRP Both Side Batten Panel Joint

H-Holding use for FRP side only



PermaTherm

DETAIL: No. 0001  
FRP Both Side Batten Panel Joint

JULY 2009